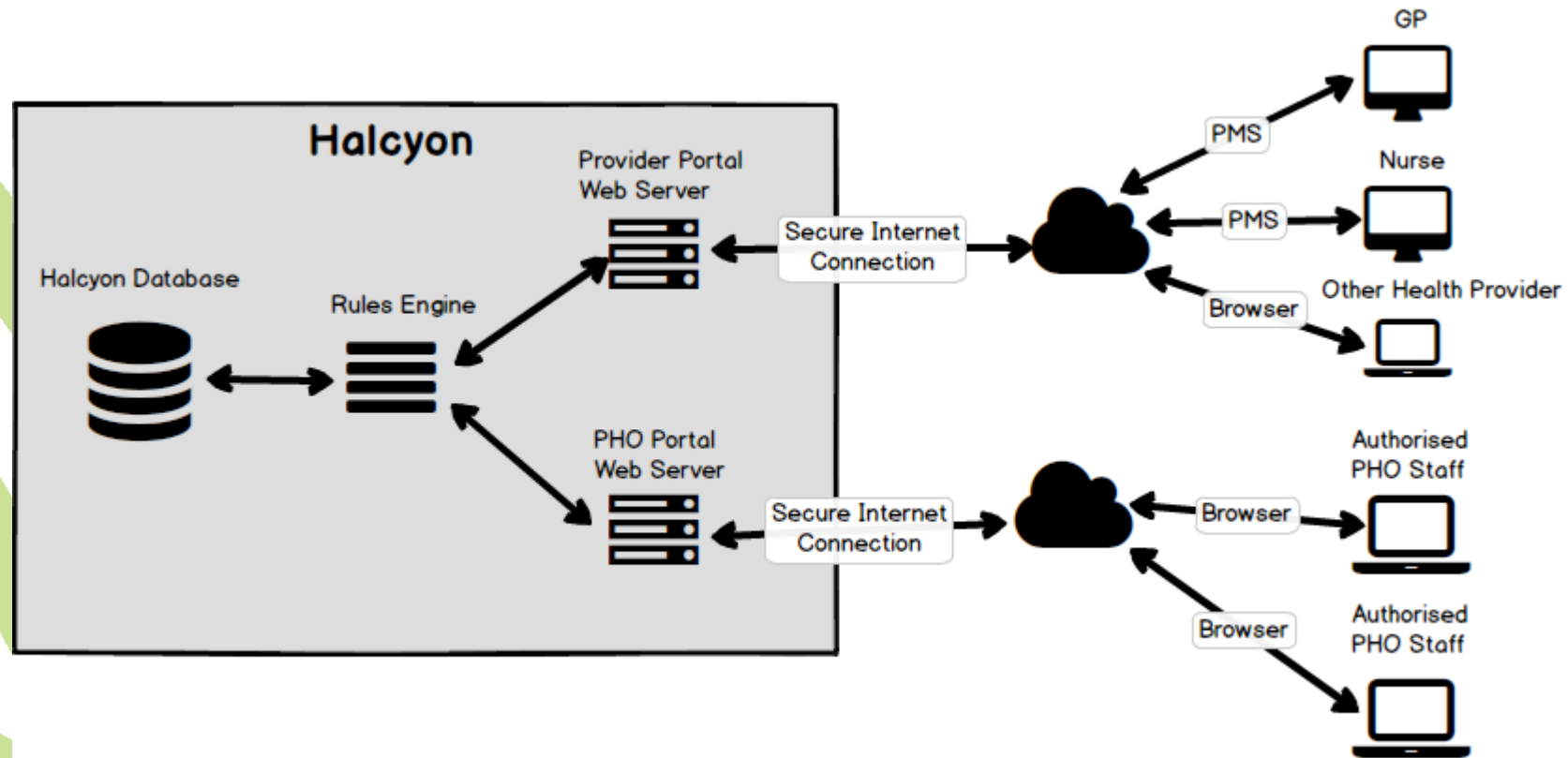


Karo Data Management Halcyon Claiming System

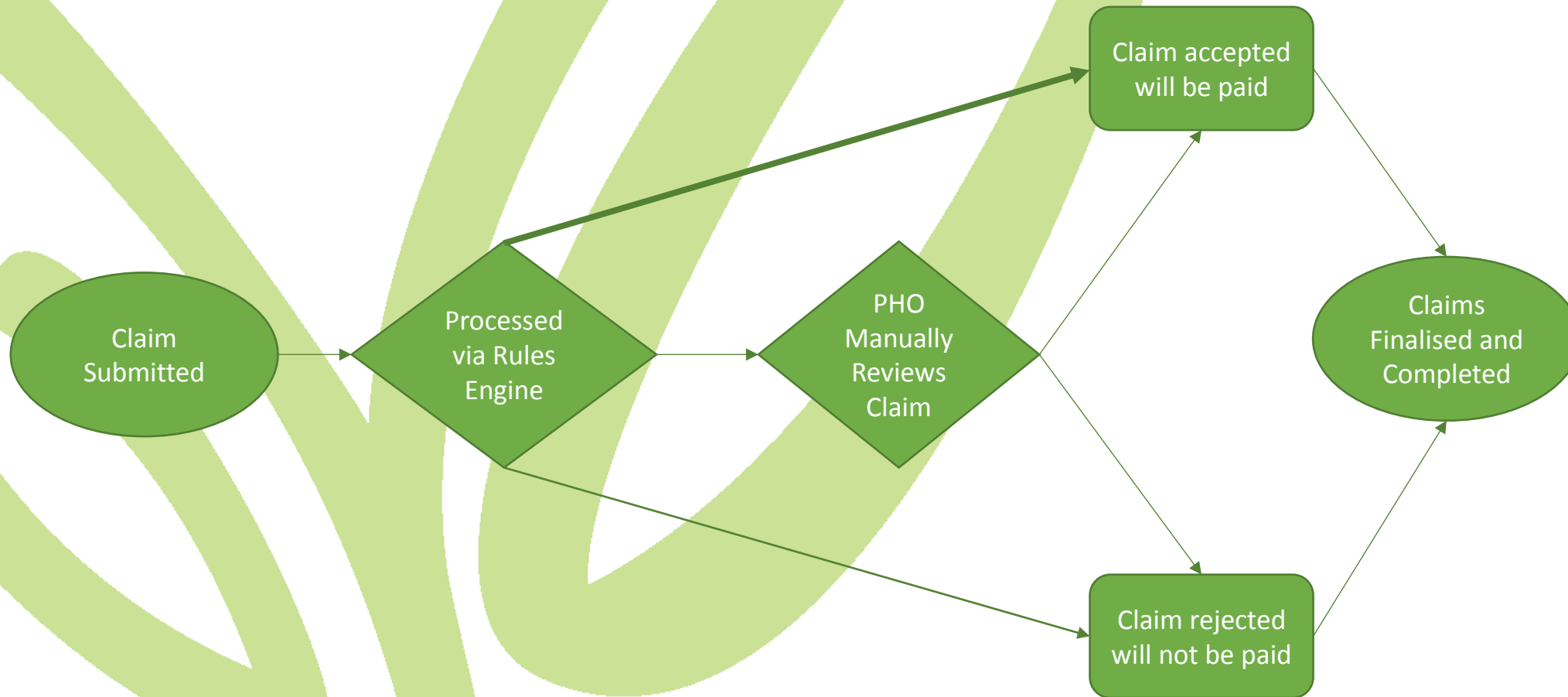
PHOs	5
Practices	164
Mental Health Providers	124
Pharmacies	110
Claims per year	258,165



Halcyon System Overview



Claim Lifecycle



Making a Claim

MedTech-32 Karo Data Management Ltd

File Edit Patient Module Report Tools Utilities Setup ManageMyHealth ConnectedCare CBIT CAT Window Help Support Chat

SHERILYN Jenney (5.1) **A 3 - R** **ABX4068**
25 May 1976 42 yrs Female European/Pakeha 0.00

New Halcyon Provider Portal (Karo Data Management Ltd)

Main Web Portal More Audit

YOUR LOGO HERE Karo data management

Jenney SHERILYN (ABX4068)

Chronic Condition Package of Care

Patient Provider Claim Details

Claim Date
15/10/2018

Eligibility Criteria Package of Care
Please specify Please specify

Reason for Package of Care
Please specify

Submit Claim Cancel

© HSS -Request Help / Send Feedback | If requested, download TeamViewer

New Halcyon Provider Portal (Karo Data Management Ltd)

Main Web Portal More Audit

YOUR LOGO HERE Karo data management

Jenney SHERILYN (ABX4068) Kia ora, **Coromandel Lane Med**

Non-Funded CVD Risk Assessment

Patient Funding Assessment Details Patient Summary

Measurements

Assessment Date: 15/10/2018

Blood Pressure: / Add 2nd BP

Lipids

Cholesterol: mmol/L HDL: mmol/L TC:HDL:

Other Factors

Smoking Status: Please specify

Submit Claim Cancel **Park Form**

Halcyon | Reports Admin x Halcyon | Providers x Halcyon | Reports Admin x Demo Web Portal x

YOUR LOGO HERE Karo data management Home Reports Admin

Select Patient Kia ora, **Maratai Harbour Pharmacy** logout

Earthquake Consult

Patient Claim Details

NHI Firstname Surname
/ /

Dob Age Gender Ethnicity
DD/MM/YYYY / Male Please specify

Submit Claim Cancel

Relevant Conditions

- Family History - Early Onset CVD
- Personal History - CVD Event
- Genetic Lipid Disorder
- Diabetes

Links

[NZ CVD Guidelines](#)

Processing Claims

Search..
karo data management
Kia ora, Henninger [Log out](#)

YOUR LOGO HERE

Henninger Loma
System Admin

Menu

- After Hours Under 13
- After Hours Under 6
- Bowel Screening
- Care Plus
- CBF
- Chronic Condition Package of Care
- CLIC
- COPD Ambulance Diversion
- CVD Management**
 - List all Claims
 - Get Sign-Off
 - Add New Registration
 - Add New Follow-Up
 - View Business Rules
- CVD Risk

DEMO Halcyon PHO Portal

CVD Management / List all Claims

Search Options

Search

Claims Status

Organisations

Claims Received

Claim Types

Show Deleted Claims?

Show all Claim Types

Search Result

Status	Type	NHI	Patient	Organisation	Payee	Claim Date	Invoice No.	Received Date.	Amount GST Incl.
Rejected	CVD Management Registration	CKP9361	ALIDA, Bedford	Eketahuna East Surgery					
Patient is not High Needs.									
Payment pending	CVD Management Follow-Up	NZA8992	NEAL, Piland	Mokoia Bridge Medical Centre					
Rejected	CVD Management Registration	ZHX1604	MANIE, Deschamp	Albury Harbour Surgery					
Patient is not High Needs.									
Rejected	CVD Management Registration	JLB2988	TVISHA, Garey	Tauranga North Surgery					
Patient is not High Needs.									
Payment pending	CVD Management Registration	JLH1097	JADA, Crete	Mokoia Bridge Medical Centre					
Payment pending	CVD Management Follow-Up	VHR0759	RHODA, Sweeny	Eketahuna East Surgery					

DEMO Halcyon PHO Portal

CVD Management / Get Sign-Off

Sign Off for CVD Management for claims processed in Sep 2018

Payments for **Purua Village Surgery**

Payments for **Dr Mangual Alana**

Claim Id	Patient	Type of Claim	Claim Date	Invoice No.	Amount (GST Incl.)
12215	Ibrahim Medelene (PG57396)	Registration	4 Sep 2018	54073	\$46.00
Total for Dr Mangual Alana					\$46.00
Total for Purua Village Surgery					\$46.00

Payments for **Pukekohe Grove Practice**

Payments for **Dr Buggs Chery**

Claim Id	Patient	Type of Claim	Claim Date	Invoice No.	Amount (GST Incl.)
12213	Tuch Katrice (DYM6496)	Registration	4 Sep 2018		\$46.00
12234	Oles Ariette (XRC9333)	Registration	11 Sep 2018		\$46.00
Total for Dr Buggs Chery					\$92.00
Total for Pukekohe Grove Practice					\$92.00

Payments for **Dannevirke Road Medical Centre**

Payments for **Dannevirke Road Medical Centre**

Claim Id	Patient	Type of Claim	Claim Date	Invoice No.	Amount (GST Incl.)
12219	Greenhaw Aurea (NSC2900)	Registration	31 Aug 2018	722494	\$46.00
Total for Dannevirke Road Medical Centre					\$46.00

\$1,932.00
This month
GST Incl.

\$3,542.00
Last month
GST Incl.

Sign-off CVD Management
for Sep 2018

Claims processed in

Sep 2018

Close Off
Hide patient names

Claim Type Breakdown

Reporting for the PHO

BreakDown_By_Bic_2		View Edit Delete
BreakDown_By_Bic_3		View Edit Delete
Breakdown_By_GPL	Break down of BIC Services - {0:d MMM yyyy} to {1:d MMM yyyy}	View Edit Delete
MenalthHealthECDhbReport	MH Extended Appointments	View Edit Delete
MHBIC_Service_Summary_1	Mental Health Brief Intervention Service - Summary Report - {0:d MMM yyyy} to {1:d MMM yyyy}	View Edit Delete

MHBIC_ DEMO Halcyon PHO Portal

Reports Admin / [View Report Part](#)

Options

Month

Sep 2018

Export

Hide Sub Reports

High Needs Smears - DHB Reporting

Paid Date	Claim Date	Practice	Nhi	Age	Ethnicity_Description	FinancialAccessIssues	NoSmearInFiveYears	IsMaoriPIAsian	HasCsc	HasHighUseHealthCard	Quintile
2018-09-01	2017-12-12	Rawhitiroa Bridge Medical Centre	SGZ9061	34	NZ European/Pakeha	False	False	False	False	False	2
2018-09-01	2017-12-12	Rawhitiroa Bridge Medical Centre	ZRT0432	44	NZ European/Pakeha	False	False	False	False	False	3
2018-09-01	2017-12-12	Rawhitiroa Bridge Medical Centre	DEE9789	51	NZ European/Pakeha	False	False	False	False	False	1
2018-09-01	2017-12-12	Rawhitiroa Bridge Medical Centre	WXC7903	34	NZ European/Pakeha	False	False	False	False	False	2
2018-09-01	2017-12-12	Rawhitiroa Bridge Medical Centre	DXK2045	45	Other European	False	False	False	False	False	1
2018-09-01	2018-05-30	Pukeuri Street Medical Centre	ZPR7658	47	Tongan	False	False	True	False	False	4
2018-09-01	2018-06-06	Tairua Gardens Medical Centre	EKF9497	47	NZ European/Pakeha	False	False	False	False	False	5
2018-09-01	2018-06-08	Pukeuri Street Medical Centre	SUU5497	21	Maori	False	False	True	False	False	4

Pipeline Dropsy

POAC

Providers

Reports Admin

Basic Reports

View/Edit Reports

Add New Report

Uploadable Reports

Reporting for the Practice

The screenshot displays the 'New Halcyon Provider Portal' interface. At the top, there is a navigation bar with 'Main', 'Web Portal', 'More', and 'Audit' links. Below this is a green header with a logo placeholder 'YOUR LOGO HERE', the text 'Karo data management', and navigation links for 'Home', 'Allocations', 'Reports', and 'Admin'. A dropdown menu is open over the 'Reports' link, showing 'Claim Status Report' and 'Parked Forms Report'.

On the left, the 'Allocation Summary' table shows data for various programmes:

Programme	Current Allocation	Usage	Remaining	Allocation Expiry
Care Plus	0	0	0	-
Mental Health Extended Consult	1685	0	1685	-
Options For Care	\$1,685.16	\$0.00	\$1,685.16	-
Chronic Condition Package of Care	\$3,370.32	\$44.00	\$3,326.32	-
Equally Well	1685	0	1685	-

In the center, the 'Search All Claims for "' section includes a search input field for 'Patient name or NHI', a 'Search' button, and a 'Filter by claim status' dropdown menu currently set to 'Claims Requiring Review'. A 'Filter by claim type' link is also present.

Below the search section, the 'Search Results' table lists claims that require review:

Status	Claim Type	NHI	Patient	Payee	Claim Date	Invoice No.	Date Submitted	Payment Amount
Requires Review	After Hours Under 13 Claim	CCR7708	TEODORO, Hungate	Coromandel Lane Medical Centre	21 Sep 2018	1042211	21 Sep 2018	\$0.00
Requires Review	After Hours Under 13 Claim	UNH5870	EARLEAN, Burley	Coromandel Lane Medical Centre	16 Sep 2018	1041501	16 Sep 2018	\$0.00

On the right, the 'Parked Forms' section features a table with columns for Surname, Firstname, NHI, and Claim Type Name:

Surname	Firstname	NHI	Claim Type Name
DAGGAR	KAYLENE	FLB5625	IV Antibiotic Therapy (Follow-Up)
ELLIS	ROBERT	CHN0190	IV Antibiotic Therapy (Follow-Up)
HARRIS	DAVID	BGW8200	IV Antibiotic Therapy (Initial)
	PHILIP	ABY7844	IV Antibiotic Therapy (Follow-Up)
	ANDREA	GJF9805	IV Antibiotic Therapy (Follow-Up)
	JOHN BARRY	CJT9253	IV Antibiotic Therapy (Initial)
	PHILLIP	VJA6202	IV Antibiotic Therapy (Follow-Up)
	JADE	DLD6838	IV Antibiotic Therapy (Initial)
	WILLIAM	AAQ6726	IV Antibiotic Therapy (Initial)

Reviewing or Updating a Programme



Change
request

```
5
6 namespace Halcyon.Core.Claim.BLL
7 {
8     [BLLFor(typeof(Under13AfterHours))]
9     public class Under13AfterHoursBll : ClaimBaseBLL<Under13AfterHours>
10    {
11        protected override Validator<Under13AfterHours> LoadValidators()
12        {
13            return new Validator<Under13AfterHours>()
14                .MustNotBeDuplicate(DataAccessLayer)
15                .MustBeTrue(x => x.Enrolled, "Patient must be enrolled in the SCDHB",
16                    "Patient must be enrolled the SCDHB")
17                .MustBeTrue(x => x.Age < 13, "Patient is over 13 years old", "Patient must be under 13 years of age",
18                    ClaimBase.ClaimStatus.Rejected)
19                .MustBeTrue(x => x.Gender != null, "Patient gender has not been recorded.",
20                    "Patient gender must be recorded")
21                .MustBeTrue(x => x.Nhi != null, "Patient NHI has not been recorded.", "Patient NHI must be recorded")
22                .MustBeTrue(x => x.ConsultFee < (decimal) 999.99, "Consult fee amount is too high",
23                    "Consult fee amount is too high")
24                .MustBeTrue(x => x.ConsultFee >= 0, "Consult fee amount cannot be negative",
25                    "Consult fee amount cannot be negative");
26        }
27    }
28 }
29
```


Administering the System

- ← Smoking Cessation <
- ← Voucher Programme <
- ← Zostavax Vaccine <
- Admin** ▾
- View/Edit Users**
- Add New User
- System Monitor
- Change your password
- ☰ View All Claims
- ☰ HSS Job List

DEMO Halcyon PHO Portal

Admin / **View/Edit Users**

jacquiw	Delany Katie	Edit Reset Password
JocelynC	Manly Victor	Edit Reset Password
johns	Pell Mildred	Edit Reset Password
JoK	Bresler Adria	Edit Reset Password
JoS	Barefield Shirely	Edit Reset Password
jet	Rideout Zana	Edit Reset Password
JustineG	Doggett Linda	Edit Reset Password
KarynW	Caley Julio	Edit Reset Password
katel	Wemmer Chery	Edit Reset Password
katieh	Newman Garth	Edit Reset Password

DEMO Halcyon PHO Portal

Admin / Edit User / **Amavisca Lu**

Edit User Edit users login details

User Details

First Name

Full Name

Job Title

Email Address

Is Admin

Is User Inactive

Programme Permissions

- After Hours Under 13
- After Hours Under 6
- Bowel Screening
- Care Plus
- Chronic Condition Package of Care
- CLIC
- COPD Ambulance Diversion
- CVD Management
- CVD Risk
- Diabetes
- Equally Well
- Fragility Fracture
- GPSI Skin Lesion Excision Programme
- High Needs Smear

Additional Permissions

- Cbf
- Claim Admin
- Financials
- Mental Health Admin
- Mental Health Coordinator
- Providers
- Report Admin
- User Admin

Adding a new Programme

New Clinical Programme Request Form

Requester Details

First Name	Last Name	Requesters Email
Phone Number	Organisation	

Programme Details

Name of Programme (this will appear as the name of the 'form')
Overview of Programme (Please include an overview of how the program

Programme Requirements – Please check all that apply.

<input type="checkbox"/>	Standard claim Is this a simple claiming form, where you are just gathering data to validate the funder?
<input type="checkbox"/>	Or, Clinical support form Or, is the form to be used by clinicians to assist and support clinical practice?
<input type="checkbox"/>	Allocation tracking Is there an allocation of funding or places on this programme on a per-practice level?
<input type="checkbox"/>	PMS Writeback to screening, classification, daily record or recalls Is there anything to be written back to the above areas in the PMS?
<input type="checkbox"/>	If "Yes", please detail:
<input type="checkbox"/>	Is the Clinical Programme a paid programme? I.e. will the provider get paid for completing a form related to this programme?
<input type="checkbox"/>	Does this programme have contractual reporting requirements? e.g. DHB monthly reporting
<input type="checkbox"/>	If "Yes", please attach template
<input type="checkbox"/>	Does this programme have additional reporting requirements? e.g. PHO monitoring report
<input type="checkbox"/>	If "Yes", please attach template
<input type="checkbox"/>	Do you have any existing claim forms for this programme? e.g. Advanced Forms, paper claiming forms etc
<input type="checkbox"/>	If "Yes", please attach screenshots/examples. If some fields on your forms are not relevant, or you want changed, please note this on the screenshots

Business Rules

Eligibility Rules

e.g. Patient must be Maori, Pacific or Quintile 5, patients are entitled to up to 3 claims per year etc

Exceptions to Business Rules

e.g. at the PHOs discretion, practices may claim more than 3 claims per patient, per year

Payment Rules

Please detail the payment rules (if any) for this programme. Please indicate whether figures include GST. E.g. GP Consults are paid at \$75 GST Excl. Nurse Consults at \$35 GST Excl.

Other Requirements

All clinical programmes will have an interface in Halcyon where authorised staff at the PHO can list, search, view, edit, approve/reject for payment and claims received. They will also be able to generate payment reports, and any other reports noted. Please note any additional requirements that you think may be relevant and not otherwise covered by the above